

Mono  
**72 cells**  
(320~360Watt)

Those who dream of a better future can help lead to a more meaningful and enriched world. As a leading solar module manufacturer in Korea, we never stop to achieve competitiveness through differentiation, implement the maximum value, and commit to sustainable development with customers.

### Key Features

**25 years** **Linear Performance Warranty**  
10 Years product warranty  
25 Years linear performance warranty

**\*\*\*** **Certified Durability**  
5,400Pa snow load  
2400 Pa wind load

**1500V** **1500V**  
Designed for UL 1500 and TUV 1500  
Saving BoS costs

**PID FREE** **PID Free**  
Anti-PID Cell  
Anti-PID encapsulation technology

### Optional Features

**Wavy** **Floating PV Installation**  
Module backside blocks moisture permeability

**Bar Chart** **Power Optimization**  
Increase the energy output of each individual panel in a system to enhance O&M, shade and age tolerance

**Black** **Black Frame**  
Sleek and aesthetic appearance

### Product Certificates

IEC 61215 / IEC 61730 : TUV / VDE / CE  
IEC 61701 Salt Mist Corrosion Level 6  
UL 1703 Fire Rating Type 1



# Mono - Crystalline Solar Module (TD-AN3)

## 72 cells (320~360Watt)



Electrical Data / STC (TD-AN3) : Irradiance of 1000W/°C, spectrum AM 1.5 and cell temperature of 25°C										
Nominal Max Power	Pmax (Wp)	320	325	330	335	340	345	350	355	360
Voltage at Pmax	Vmp (v)	36.4	36.8	37.2	37.6	38.0	38.4	38.8	39.2	39.6
Current at Pmax	Imp (A)	8.80	8.84	8.88	8.92	8.95	8.99	9.03	9.06	9.10
Open Circuit Voltage	Voc (v)	45.0	45.4	45.8	46.2	46.6	47.0	47.4	47.8	48.2
Short Circuit Current	Isc (A)	9.38	9.42	9.46	9.50	9.54	9.58	9.62	9.65	9.69
Module Efficiency	%	16.05%	16.30%	16.55%	16.80%	17.05%	17.30%	17.55%	17.80%	18.05%
Operating Temperature	-40°C ~ +85°C									
Max. System Voltage	1000 Vdc TUV, 1000 Vdc UL									
Max. Service Fuse Rating	15A									
Max. Reverse Current	15A									
Power tolerance	0 ~ +4.99W									

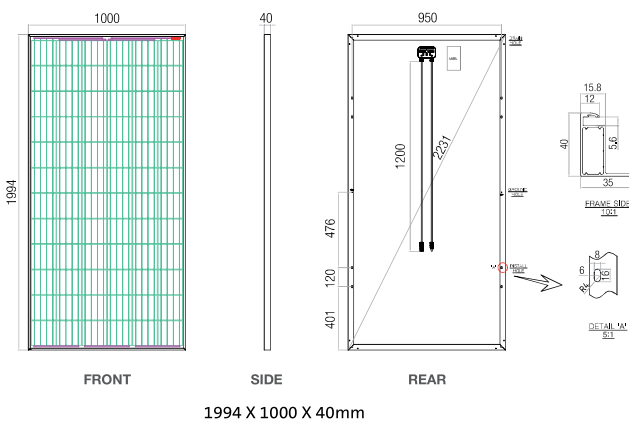
Electrical Data / NOCT (TD-AN3) : Irradiance of 800W/°C, spectrum AM 1.5 and ambient temperature of 20°C, wind speed 1m/s										
Nominal Max Power	Pmax (Wp)	232.9	236.5	240.1	243.8	247.2	250.9	254.6	258	261.8
Voltage at Pmax	Vmp (v)	33.0	33.4	33.7	34.1	34.4	34.7	35.1	35.4	35.7
Current at Pmax	Imp (A)	7.05	7.09	7.12	7.16	7.19	7.23	7.26	7.29	7.32
Open Circuit Voltage	Voc (v)	41.0	41.4	41.8	42.1	42.5	42.8	43.2	43.5	43.9
Short Circuit Current	Isc (A)	7.58	7.62	7.65	7.68	7.71	7.74	7.8	7.8	7.83

Mechanical Data	
Cell Type	Mono-crystalline, 6 inch
Cell Arrangement	72 (6 x 12)
Dimensions	1994 x 1000 x 40mm
Weight	22.5kg (49.6 lbs)
Frame	Anodized aluminum
Front glass	3.2mm Tempered glass
J-Box	IP68, 3 diodes
Output cable	(+)1200mm, (-)1200mm, 12 AWG
Connectors	MC4 compatible
Module Fire Performance	Type 1
Stand. Packaging	26 pcs (vertical)
Pallets per Container	22
Module Pieces per Container	572

Warranties	
Product	10 years
Performance	10 years performance warranty (>90%)
	25 years linear power warranty (>80%)

Temperature Characteristics	
Specifications	Data
Temperature coefficient (Pmax)	-0.45
Temperature coefficient (Voc)	-0.33
Temperature coefficient (Isc)	0.05
Normal Operating Cell Temperature	46.0 ± 2°C

### MODULE DIAGRAM unit : mm (inch)



### I-V Curve according to Irradiance

